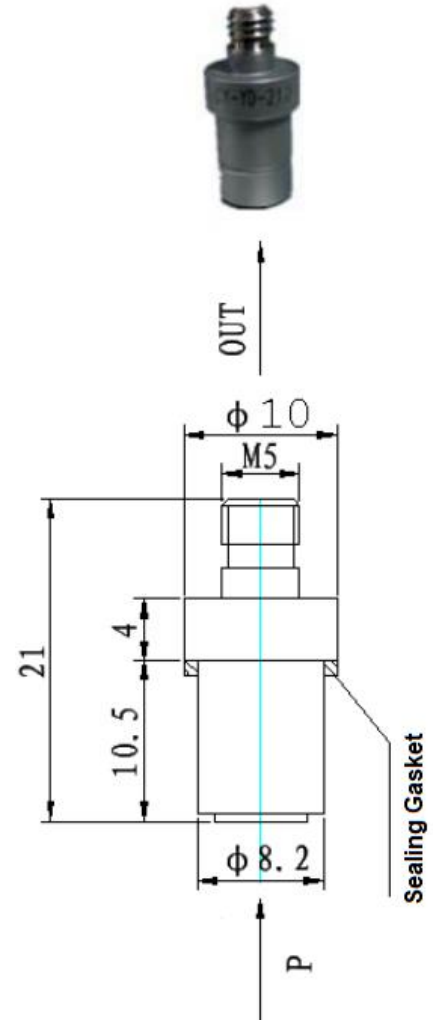


## Features:

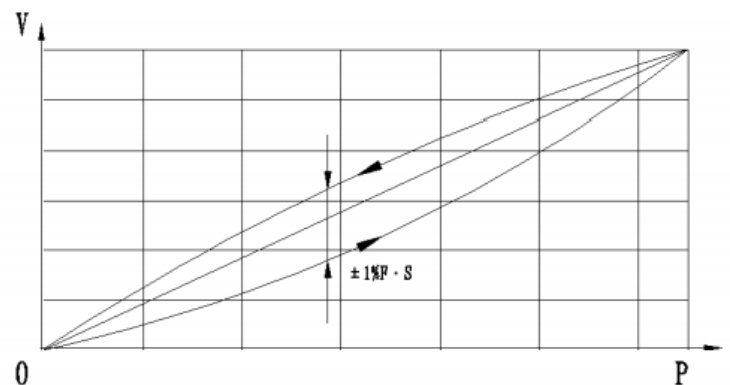
- Measurement of pipeline pressure, blast pressure
- Support static calibration
- Wide frequency range, high stiffness

## Specifications:

Sensitivity (20 ± 5°C)	~100 pC/MPa
Measurement Range	0 ~ 10 MPa
Overload Capacity	120%
Non linearity	≤ 1% F.S.
Lag	≤ 1% F.S.
Non Repeatability	≤ 1% F.S.
Mounting Resonance Frequency	> 100 kHz
Operation Temp. Range	-40~+250 °C
Insulation Resistance	≥ 10 <sup>13</sup> Ω
Capacitance	7 pF
Mounting Method	Adaptive Clamper
Sensing Element	Quartz
Case Material	Iron nickel alloy
Weight	6 g
Output Type	L5
Grounding	Signal Ground Connected to Case
Protection Cap & Sealing Gasket	Included
Low Noise Cable to BNC	Included
Calibration Certificate	Included



Schematic diagram



Typical static error curve (3 time average)