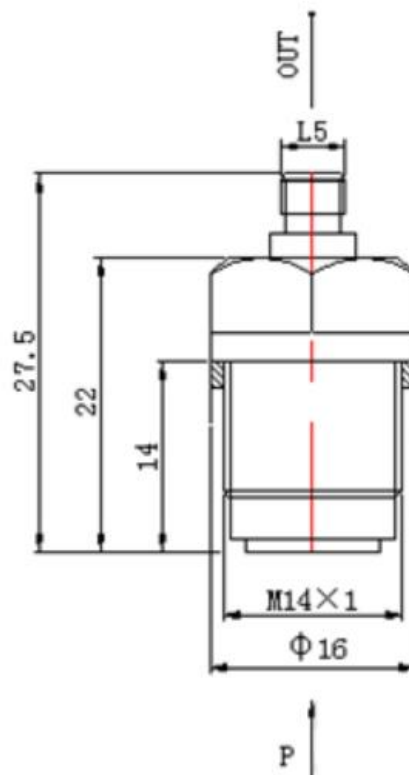


Features:

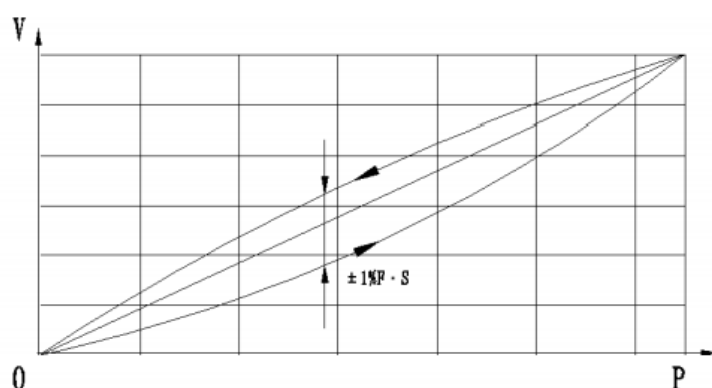
- Measurement of gas / liquid fretting pressure
- Pipeline leakage monitoring
- Wide frequency range, high stiffness

Specifications:

Sensitivity	~50000 pC/MPa
Measurement Range	50 Pa ~ 1 MPa
Overload Capacity	500%
Non linearity	≤ 5% F.S.
Lag	≤ 5% F.S.
Non Repeatability	≤ 5% F.S.
Mounting Resonance Frequency	> 50 kHz
Operation Temp. Range	-40~+80 °C
Insulation Resistance	≥ 10 ⁹ Ω
Capacitance	~4000 pF
Mounting Method	M14 × 1
Sensing Element	PZT-5
Case Material	Stainless Steel
Weight	25 g
Output Type	L5
Grounding	Signal Ground Connected to Case
Protection Cap & Sealing Gasket	Included
Low Noise Cable to BNC	Included
Calibration Certificate	Included



Schematic diagram



Typical static error curve (3 time average)