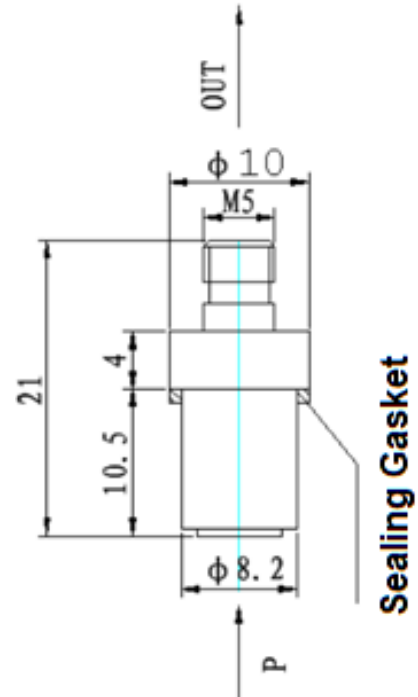


Features:

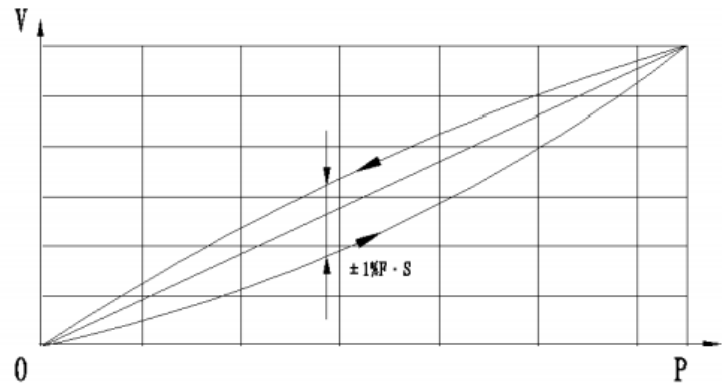
- Measurement of pipeline pressure, blast pressure
- Support static calibration
- Wide frequency range, high stiffness

Specifications:

Sensitivity	~100 pC/MPa
Measurement Range	0 ~ 30MPa or 0 ~ 60Mpa (selectable)
Overload Capacity	120%
Non linearity	≤ 1% F.S.
Lag	≤ 1% F.S.
Non Repeatability	≤ 1% F.S.
Mounting Resonance Frequency	> 100 kHz
Operation Temp. Range	-40~+150 °C
Insulation Resistance	≥ 10 ¹³ Ω
Capacitance	7 pF
Mounting Method	Adaptive Clamper
Sensing Element	Quartz
Case Material	High-Strength Stainless Steel
Weight	6 g
Output Type	L5
Grounding	Signal Ground Connected to Case
Protection Cap & Sealing Washer	Included
Low Noise Cable to BNC	Included
Calibration Certificate	Included



Schematic diagram



Typical static error curve (3 time average)