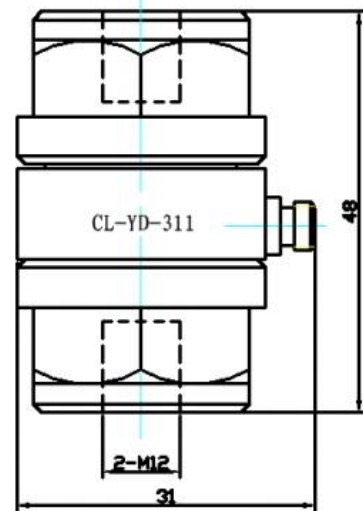
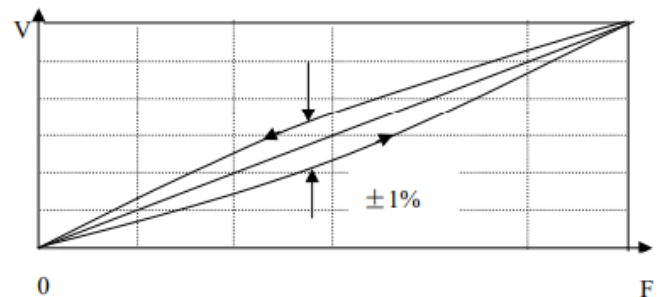


Specifications:

Axial Sensitivity (20±5°C)	~3 pC/N
Tension and Compression Sensitivity Discordance	≤2%
Measurement Range	±10 kN
Overload Capacity	120%
Non linearity	≤ 1% F.S.
Lag	≤ 1% F.S.
Non Repeatability	≤ 1% F.S.
Mounting Resonance Frequency	> 40 kHz
Operation Temp. Range	-40~+150 °C
Insulation Resistance	≥10 ¹³ Ω
Capacitance	18 pF
Mounting Method	2-M12
Sensing Element	Quartz
Case Material	High-Strength Stainless Steel
Weight	145 g
Output Type	L5 (side)
Grounding	Signal Ground Connected to Case
Low Noise Cable to BNC	Included
Calibration Certificate	Included



Schematic diagram



Typical static error curve (3 time average)