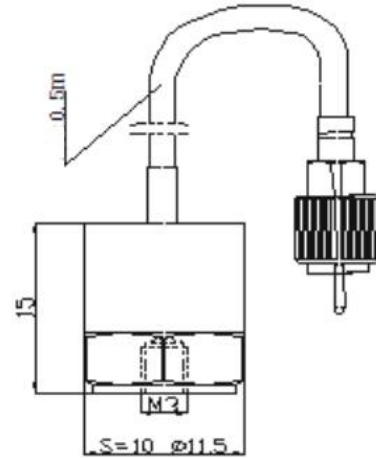
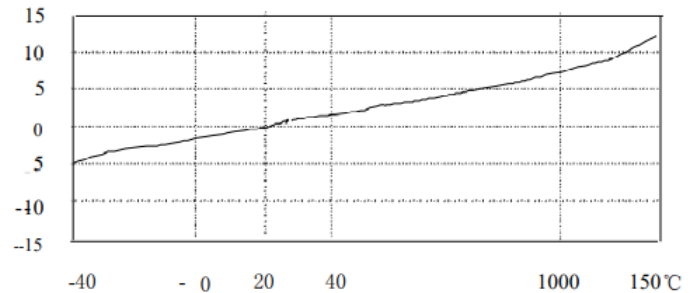


Specifications:

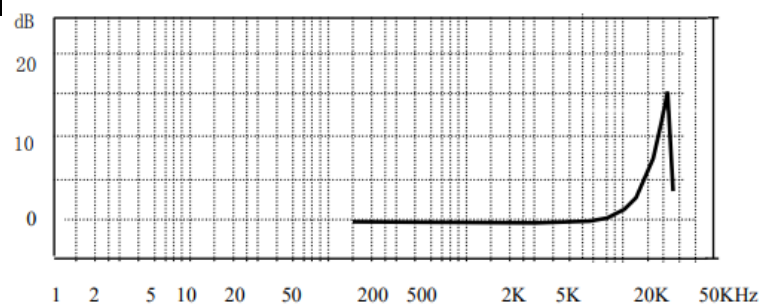
Axial Sensitivity (20±5°C)	~10 pC/g
Measurement Range (Peak Value)	2000 g
Max. Transverse Sensitivity	≤ 5%
Frequency Response (±5%)	1~10000 Hz
Mounting Resonance Frequency	> 35 kHz
Operation Temp. Range	-40~+150 °C
Temperature Response	Refer to Temp. Curve
Temperature Coefficient	4 mg/°C(0.3Hz)
Magnetic Sensitivity	2 g/T
Base Strain Sensitivity	0.2 mg/με
Insulation Resistance	≥10 ⁹ Ω
Capacitance	~1400 pF
Mounting Method	M3
Sensing Element	Piezo ceramics
Sensing Geometry	Shear
Case Material	Titanium Alloy
Weight	5 g
Output Type	Integrated cable L5 (top)
Grounding	Signal Ground Connected to Case
M3 Stud, Protection Cap	Included
Low Noise Cable to BNC (80°C)	Included (0.5m)
Calibration Certificate	Included



Schematic diagram



Typical Temperature Response Curve



Typical Frequency Response Curve