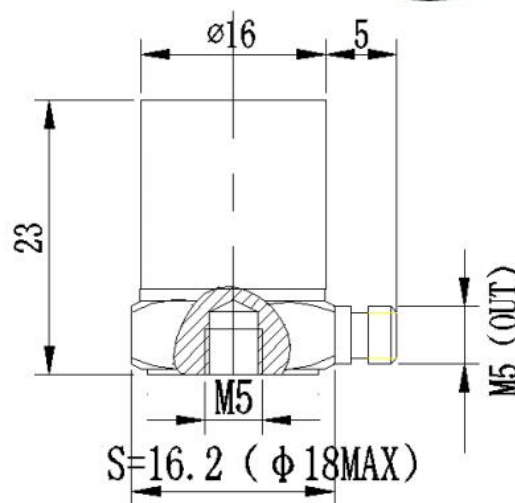
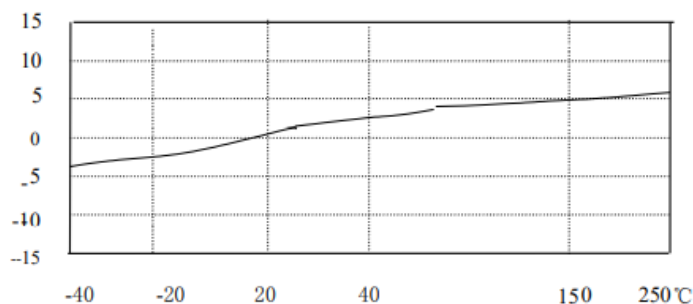


Specifications:

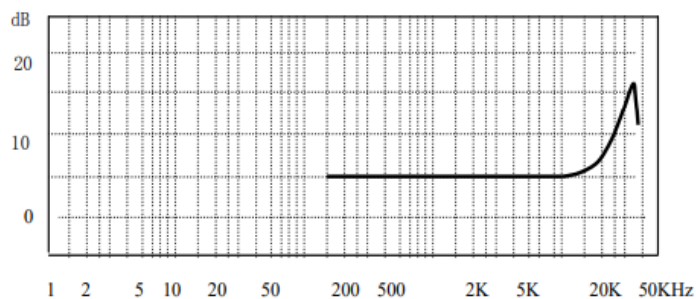
| | |
|--------------------------------|---------------------------------|
| Axial Sensitivity (20±5°C) | ~3 pC/g |
| Measurement Range (Peak Value) | 500 g |
| Max. Transverse Sensitivity | ≤ 5% |
| Frequency Response (±5%) | 5~8000 Hz |
| Mounting Resonance Frequency | > 35 kHz |
| Shock Limit | 3000g |
| Operation Temp. Range | -40~+250 °C |
| Temperature Response | Refer to Temp. Curve |
| Temperature Coefficient | 80 mg/°C(0.3Hz) |
| Magnetic Sensitivity | 1 g/T |
| Base Strain Sensitivity | 2 mg/με |
| Two-pin insulation | ≥10 ⁹ Ω |
| Capacitance | ~1000 pF |
| Mounting Method | M5 |
| Sensing Element | BST |
| Sensing Geometry | Compression |
| Case Material | Stainless Steel |
| Weight | 29 g |
| Output Type | L5 (side) |
| Grounding | Signal Ground connected to Case |
| M5 Stud, Protection Cap | Included |
| Low Noise Cable to BNC | Included |
| Calibration Certificate | Included |



Schematic diagram



Typical Temperature Response Curve



Typical Frequency Response Curve