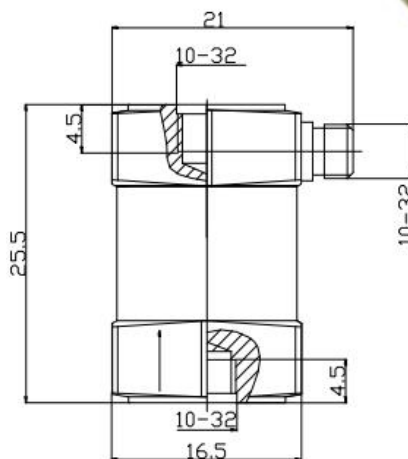


### Features:

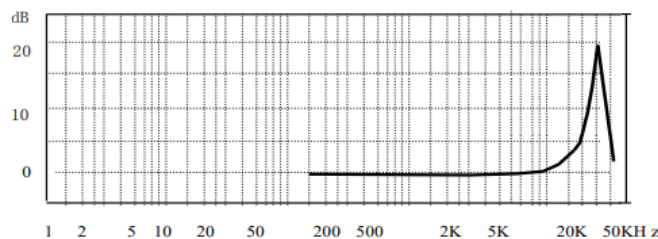
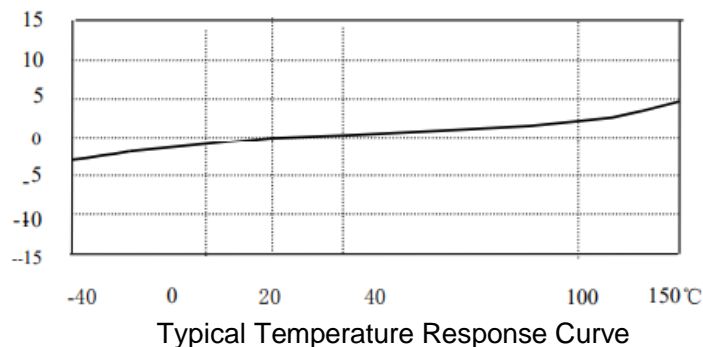
- Can be used as a reference accelerometer
- Highly stable

### Specifications:

Axial Sensitivity (20±5°C)	1.2 pC/g
Shock Limit	1000 g
Max. Transverse Sensitivity	≤ 3%
Frequency Response (±5%)	5~5000 Hz
Mounting Resonance Frequency	> 30 kHz
Operation Temp. Range	-40~+150 °C
Temperature Response	Refer to Temp. Curve
Temperature Coefficient	20 mg/°C(0.3Hz)
Magnetic Sensitivity	1.5 g/T
Base Strain Sensitivity	0.2 mg/με
Insulation Resistance	≥10 <sup>9</sup> Ω
Capacitance	~1000 pF
Mounting Method	M5
Sensing Element	BST
Sensing Geometry	Shear
Case Material	Stainless Steel
Weight	38 g
Output Type	L5 (side)
Grounding	Signal Ground Connected to Case
M5 Stud, Protection Cap	Included
Low Noise Cable to BNC	Included
Calibration Certificate	Included



Schematic diagram



Typical Frequency Response Curve