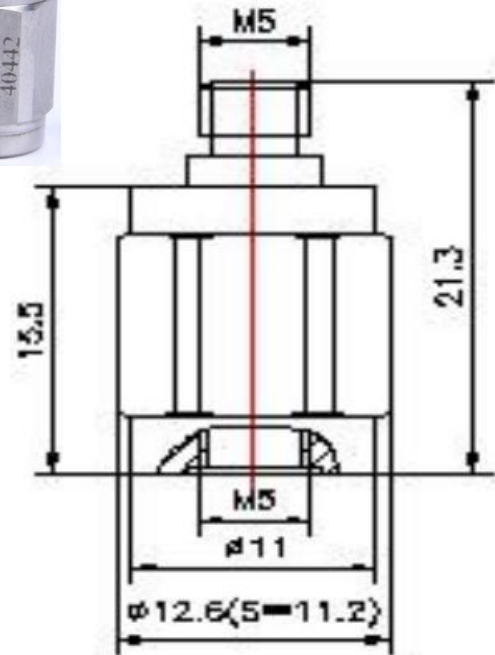
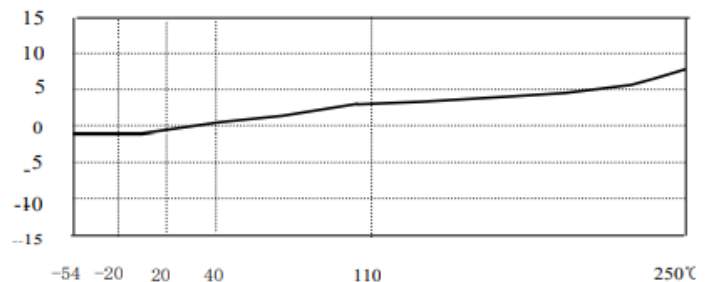


## Specifications:

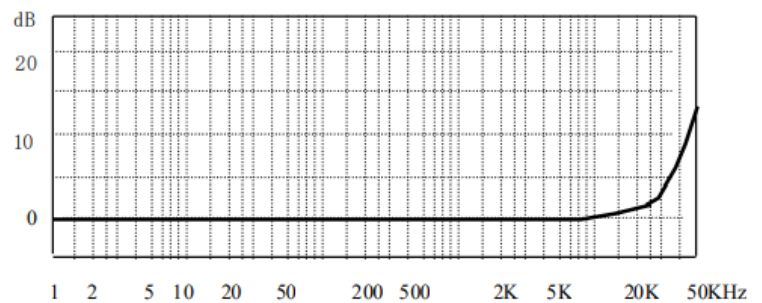
Axial Sensitivity (20±5°C)	~0.05 pC/g
Shock Limit	50000 g
Max. Transverse Sensitivity	≤ 10%
Frequency Response (±5%)	5~15000 Hz
Mounting Resonance Frequency	> 50 kHz
Operation Temp. Range	-40~+150 °C
Temperature Response	Refer to Temp. Curve
Polarity (from bottom to top)	Positive
Temperature Coefficient	0.1 g/°C(0.3Hz)
Magnetic Sensitivity	0.2 g/T
Base Strain Sensitivity	2.5 mg/με
Insulation Resistance	≥10 <sup>10</sup> Ω
Capacitance	~5 pF
Mounting Method	M5
Sensing Element	Quartz
Sensing Geometry	Compression
Case Material	High-strength Stainless Steel
Weight	10 g
Output Type	L5 (top)
Grounding	Signal Ground Connected to Case
M5 Stud, Protection Cap	Included
Low Noise Cable to BNC	Included
Calibration Certificate	Included



Schematic diagram



Typical Temperature Response Curve



Typical Frequency Response Curve