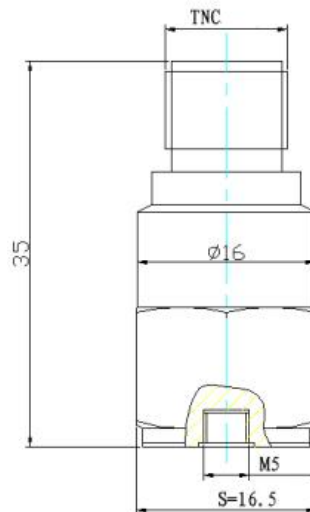
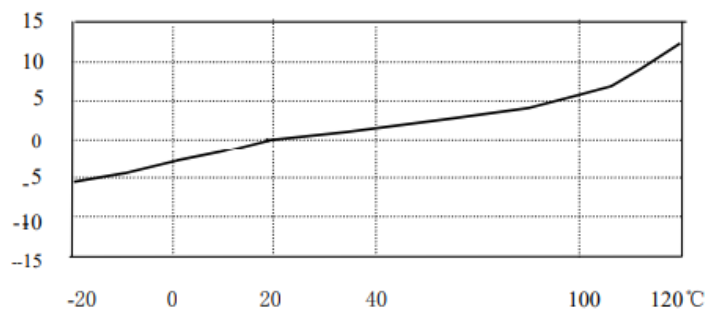


Specifications:

Axial Sensitivity (20±5°C)	35 pC/g
Shock Limit	800 g
Max. Transverse Sensitivity	≤ 5%
Frequency Response (±5%)	1~7000 Hz
Mounting Resonance Frequency	> 40 kHz
Operation Temp. Range	-20~+120 °C
Temperature Response	Refer to Temp. Curve
Temperature Coefficient	0.1 g/°C(0.3Hz)
Magnetic Sensitivity	2 g/T
Base Strain Sensitivity	0.1 g/με
Insulation Resistance	≥ 10 ⁹ Ω
Installation Ground Insulation	≥ 10 ⁸ Ω
Capacitance	~1500 pF
Mounting Method	M5
Sensing Element	Piezo Ceramics
Sensing Geometry	Compression
Case Material	Stainless Steel
Weight	33 g
Output Type	TNC (top)
Grounding	Signal Ground Isolated from Case
M5 Stud, Protection Cap	Included
Low Noise Cable to BNC	Included
Calibration Certificate	Included



Schematic diagram



Typical Temperature Response Curve

Typical Frequency Response Curve